

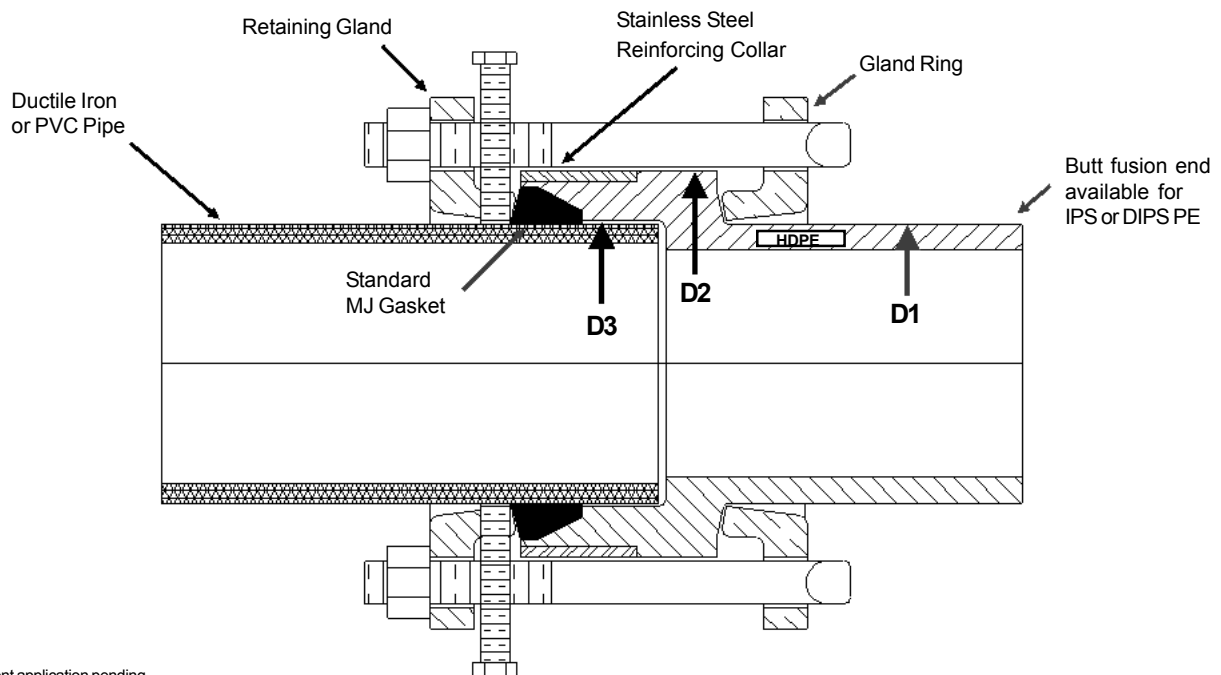
IPS & DIPS Bell MJ Adapter With Kit Connects HDPE to Plain End Ductile Iron or PVC

(Dimensions in Inches)

This kit enables HDPE pipe to be fitted with a bell end in order to accept ductile iron pipe or DIPS OD PVC pipe (also can accept IPS OD PVC pipe by using a transition gasket). This eliminates the need for a ductile iron solid sleeve when making this connection. This kit includes the HDPE Bell MJ fitting with stainless steel reinforcing collar, ductile iron C110 heavy body gland ring, gasket and extra length T-bolts.

Retaining glands are available for Ductile Iron Pipe or PVC Pipe and are sold seperately. Transition gaskets are also available and sold seperately.

Bell MJ Adapters are fully pressure rated for DR ordered and are AWWA compliant at no extra charge.



Patent application pending

| Nominal Size IPS & DIPS | D1 IPS | D1 DIPS | D2 | D3 | OAL |
|----------------------------|-----------|------------|-------|-------|-------|
| 2" | 2.38 | 2.50 | 3.50 | 2.51 | 8.00 |
| 3" | 3.50 | 3.96 | 5.37 | 3.97 | 8.00 |
| 4" | 4.50 | 4.80 | 6.63 | 4.81 | 8.00 |
| 6" | 6.63 | 6.90 | 8.63 | 6.92 | 10.00 |
| 8" | 8.63 | 9.05 | 10.75 | 9.08 | 11.00 |
| 10" | 10.75 | 11.10 | 12.75 | 11.13 | 11.00 |
| 12" | 12.75 | 13.20 | 15.38 | 13.24 | 13.00 |